

High-Sensitivity Ozone Sensing Using 280 nm Deep Ultraviolet Light-Emitting Diode for Detection of Natural Hazard Ozone

Yoshinobu Aoyagi¹, Misaichi Takeuchi¹, Kaoru Yoshida¹, Masahito Kurouchi¹, Tsutomu Araki², Yasushi Nanishi², Hiroyasi Sugano³, Yumi Ahiko⁴, Hirotaka Nakamura⁵

¹Global Innovation Research Organization, Ritsumeikan University, Shiga, Japan; ²Faculty of Engineering Science, Ritsumeikan University, Shiga, Japan; ³Hikari Technology; ⁴Miuraori Lab., Tokyo, Japan; ⁵Tokyo Metropolitan Industrial Technology Research Institute, Tokyo, Japan.

Email: aoyagi@fc.ritsumei.ac.jp

Received February 22nd, 2012; revised April 3rd, 2012; accepted May 13th, 2012

ABSTRACT

Recently ozone is one of natural hazards which comes from cars, industry using ozone for sterilization of organic and inorganic materials and for water purification. So, ozone sensing becomes very important, and convenient and accurate ozone sensor is required. A new high sensitivity ozone sensing system using a deep ultra-violet light emitting diode (DUV-LED) operated at the wavelength of 280 nm has been successfully constructed. The fabrication of diode operated at 280 nm is much easier than that of DUV-LED operated at Hg lamp wavelength of 254 nm. The system is compact and possible to sense the ozone concentration less than 0.1 ppm with an accuracy of 0.5% easily with low power DUV-LED of around 200 micro Watts operated at 280 nm without any data processing circuit.

Keywords: Ozone Sensing; Deep Ultra Violet Light Emitting Diode; DUV-LED; High Sensitivity; Long Life; Compact

1. Introduction

The importance of ozone sensing has recently increased, because ozone is harmful gas which is generated from industrial use of ozone for sterilization and cleaning of biomaterials and semiconductor devices and also water sterilization. Furthermore, ozone is produced in the surface air by photochemical reactions involving unburned fuel vapors and nitrogen oxides produced at high temperatures by car engines. So, the depletion of ozone is very important. So, continuous, high-sensitivity easy detection of ozone is indispensable.

Ozone sensing is currently conducted by monitoring the conductance change in thin-film-like semiconductors containing ZnO [1,2], In₂O₃ [3,4]. Previous studies have tried to measure ozone using a galvanic technique [5]. These devices have the advantages of being compact and very cheap, but their lifetime is less than one year and their accuracy is very low at $\pm 50\%$. Ozone sensing using a Hg lamp was used for the purpose of solar-blind sensing in the aerospace industry [6,7]. Researchers have also applied UV light to the chemiluminometric measurement of atmospheric ozone [8]. There have been attempts to use optical fibers for sensing [9]. However, there are few reports on the determination of ozone concentration in

the air using Hg lamp systems, because of the difficulties in accurate system construction with a high sensitivity suitable for ozone monitoring and with a long life that would provide an accuracy of approximately $\pm 0.5\%$. An attempt was made to use a long-pass absorption chamber to achieve high sensitivity [10]. However, the cost of this system was very high and it was unstable. The life of the Hg lamp was only about one year and the size of the system was much larger than conventional sensors. Moreover, the Hg used in the lamp is a harmful metal, which has potentially detrimental environmental affects.

We recently developed a new type of ozone sensing system using a low-power *deep ultra violet light emitting diode* (hereafter DUV-LED) operated at the wavelength of 280 nm as a light source, instead of an Hg lamp. This system has the advantages of being very compact, having a long lifetime, and being free from any harmful materials.

In this report, we present our experimental results and demonstrate the utility of this system.

2. Experiments and Discussion

Figure 1 shows the typical spectra of a Hg lamp and DUV-LED operated at the wavelength of 280 nm. The

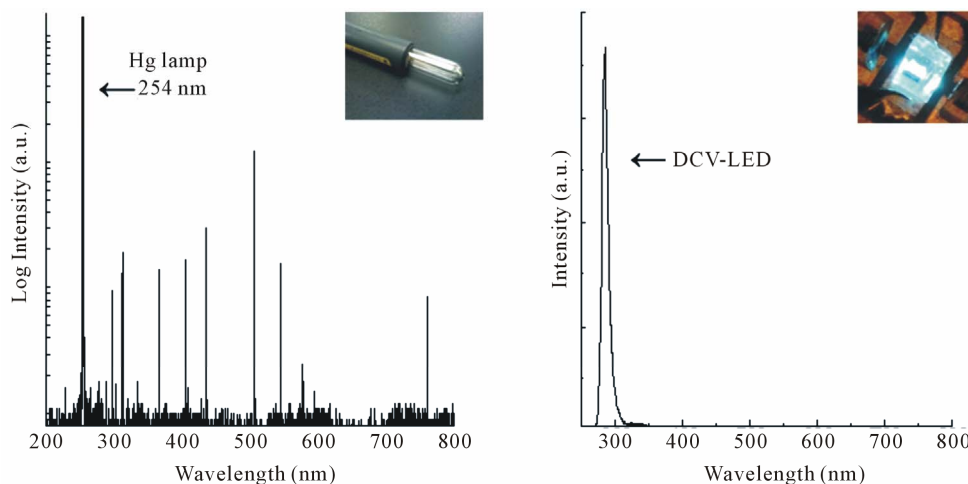


Figure 1. Spectrum of Hg lamp and DUV-LED operated at 280 nm.

size of Hg lamp is at least a few centimeters and the lamp needs high voltage, whereas the size of the DUV-LED is only 500 μm and the voltage necessary is only 10 or 20 volt. The Hg lamp emits light at various wavelengths, whereas the DUV-LED only emits light at a single wavelength of 280 nm. In case of DUV-LED, any wavelength in DUV region can be chosen, depending on any different gases that might need to be monitored in addition to ozone. Our case the wavelength of 280 nm was chosen because the LED quantum efficiency at this wavelength region is much higher than that of LED operated at the wavelength of Hg lamp as shown in Figure 2. The big advantages to use the diode operated at the wavelength of 280 nm is easiness of the device fabrication process and high device quality because of lower concentration of Al in AlGaN component than that operated at 254 nm. The larger the Al content in AlGaN, which is a main material conducting DUV-LED, the lower the crystal quality and conductance between electrode and AlGaN are. The LED was fabricated by ourselves using metal organic chemical vapor phase epitaxy crystal growth technique.

Figure 3 shows the absorption band of ozone gas. There are several main bands, which are referred to as the Hartley band, Chappuls band, and the Wulf bands. Light absorption occurs with each band, depending on wavelength of light used. Depending on the requirements, a longer absorption band can be used. In our experiment, the absorption band around 260 nm was used. However, the wavelength actually used in our experiment was 280 nm, because the external quantum efficiency of DUV-LED was about 10 times larger than that at 254 nm of the main peak of the Hg lamp. However, the absorption coefficient of ozone at 280 nm is not very different from that at 254 nm. Thus, the total system efficiency using the wavelength of 280 nm as ozone sensor, including diode quantum efficiency and absorption coefficient of

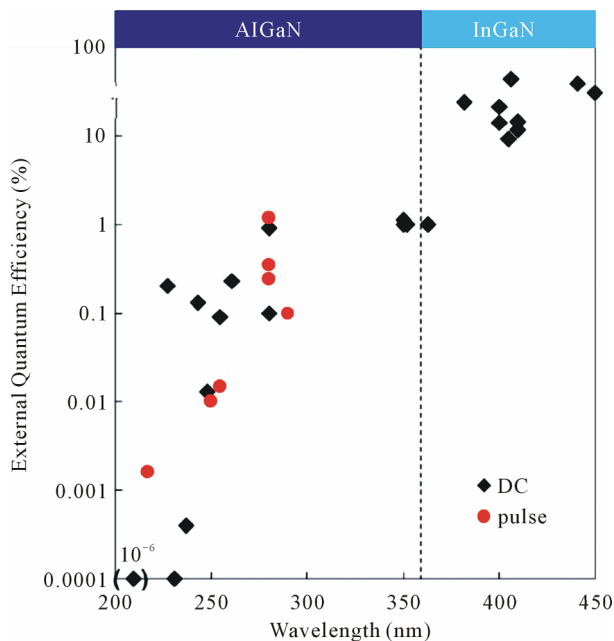


Figure 2. External quantum efficiency for various wavelengths of DUV-LED collected from papers published.

the light for ozone band, is much higher than the case using a 254 nm DUV-LED. In addition to this easy fabrication of the device of the 280 nm wavelength, the life time is also much longer of more than ten time compared to the 254 nm DUV-LED because of high quality materials for lower concentration of AlGaN. Actually the life time LED operated in blue region is more than 70000 hours which is much beyond the life of the Hg lamp. At this moment the lifetime of DUV-LED is not so long compared to blue LED but it is expected to have such a long life near future. At this moment the lifetime is about 5000 hrs if it will be operated at a few mW but it will be operated a few hundreds micro watt the life is expected

to beyond easily 10,000 hrs.

Figure 4 illustrates the ozone sensing principle of DUV-LED. Light emitted from the DUV-LED propagates a monitoring chamber with a length of 20 cm, which is significantly shorter than the conventional

length of a 50 cm monitoring chamber. In this figure the wavelength of light source of Hg lamp of 255 nm was written but in case of DUV-LED the wavelength was 280 nm. The gas sequence is shown in the same figure. The sample gas and zero gas, which are completely filtered

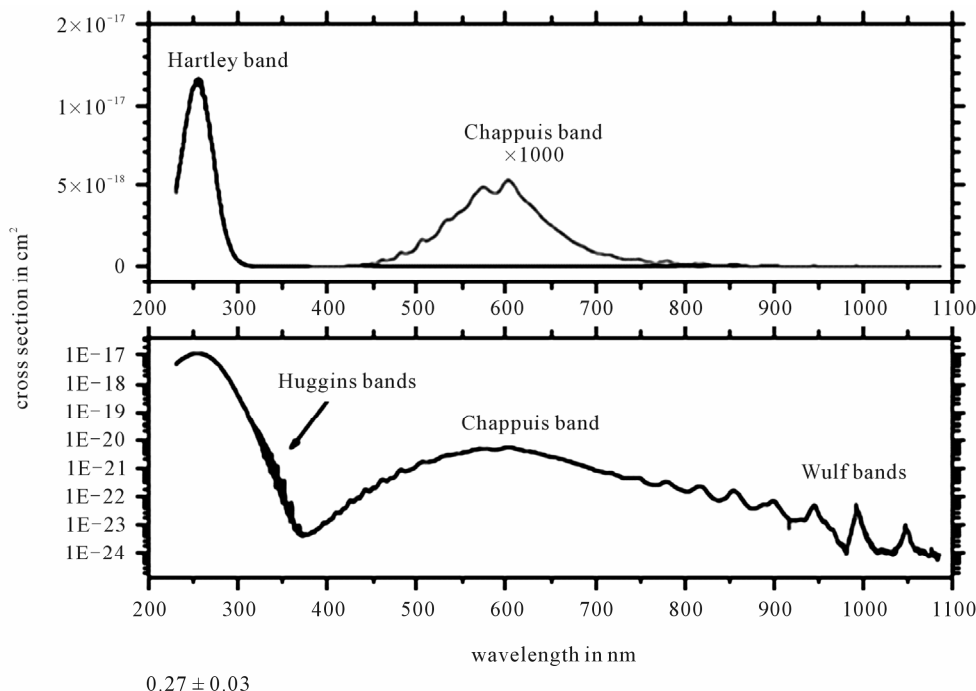


Figure 3. Ozone absorption cross section.

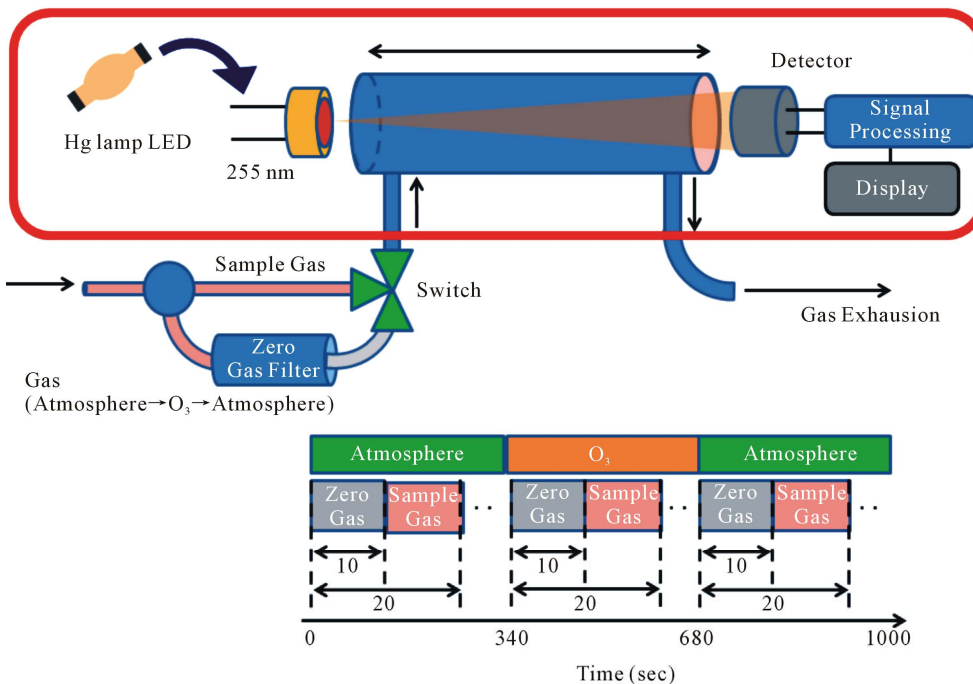


Figure 4. Schematic diagram of ozone sensing system used. The zero gas and sample gas are alternatively fed into absorption cell and estimated to evaluate ozone concentration.

by a zero-gas filter, are alternately fed into the monitoring chamber at a set interval, until exhaustion. The light emitted from the DUV-LED is absorbed in the monitoring chamber and detected by an AlGaIn detector. The experiment has been done at RT, and the detected signal was amplified using low noise amplifier. As a reference of zero gas monitoring we used zero gas filter made by a company. The zero gas filter has a capability of the reduction of ozone concentration of 1/20000 when the inlet gas concentration of 1 ppm. So, this ozone filter is enough to use zero gas standard for our experiment within experimental error. So, the zero gas of ozone after through the filter is guaranteed. In this system at the beginning stage of 340 seconds the background ozone in atmosphere was observed. After the observation of background of ozone the ozone at monitoring position was observed 340 sec and this cycle are repeated to get accurate data. Finally the ozone concentration at the monitoring point is estimated by this measurement. **Figure 5** shows raw data of monitoring results of ozone levels of 0.19 and 0.08 ppm under 200 μ W power DUV-LED light source and a short monitoring chamber of 20 cm. This data suggests that the ozone concentration less than 0.1 ppm can easily be monitored by this short chamber and low power of light source condition of 280 nm. The concentration of 0.1 ppm of ozone is the recommended ACGIH-TLV-TWA value proscribed in the United States as the safe limit for human ozone exposure. **Figure 6** shows the output signal intensity as a function of ozone concentration. Each point is an average of ten points sampling. Ozone concentration is changed by ozone generator and the ozone concentration was calibrated by other ozone monitoring system with the accuracy of 0.5%. In our system we clearly find the sensitivity of

ozone is much less than 0.1 ppm and is near 0.01 ppm and the linearity of the detected signal as a function of ozone concentration was confirmed. The accuracy of ozone concentration of the observation system is $\pm 0.5\%$ as shown in this figure. If we increase the DUV-LED power to 2 mW, which is now commercially available, the detection limit will be improved much more.

3. Conclusion

We demonstrated a high-sensitivity ozone sensing system using a low-power DUV-LED operated at 280 nm

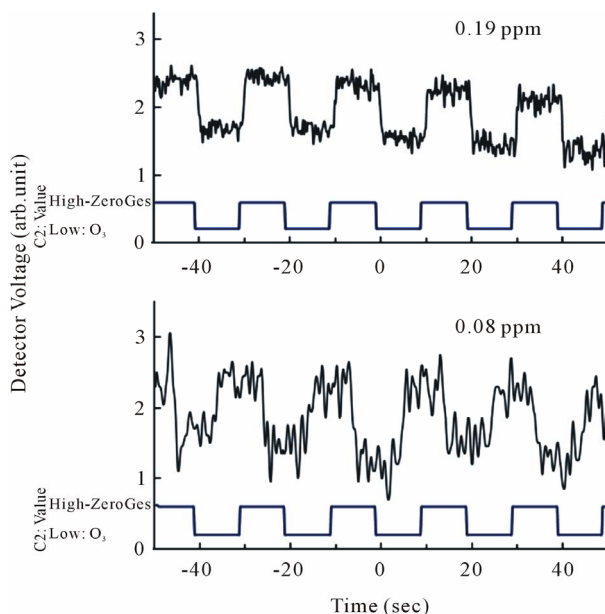


Figure 5. Raw data of signal under ozone gas and ozone free gas with a concentration of 0.19 ppm and 0.08 ppm.

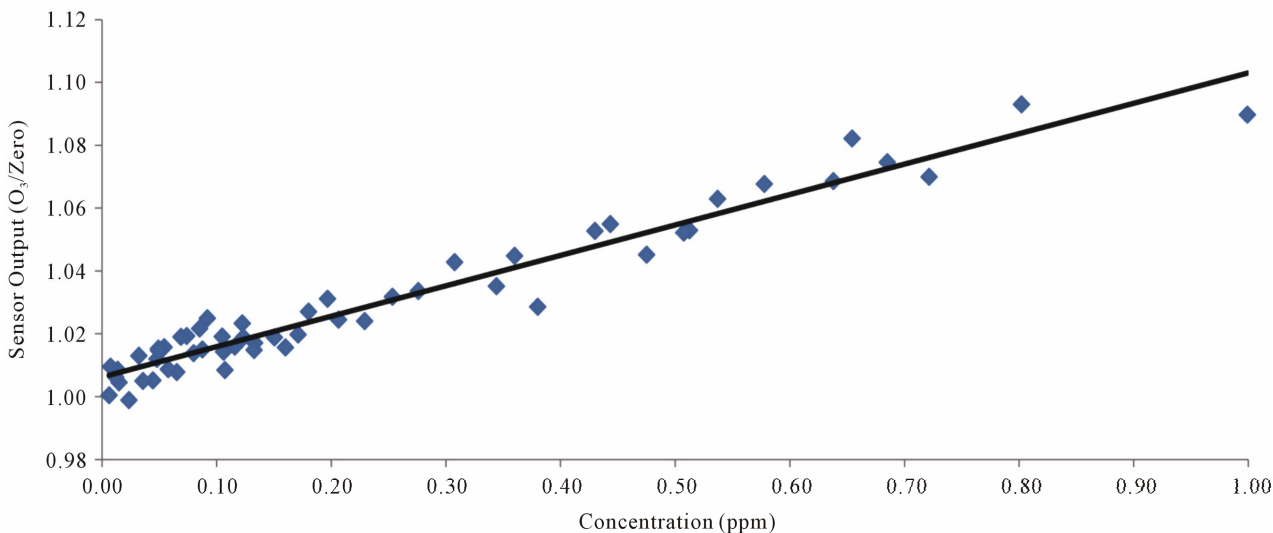


Figure 6. Photo-sensing output signal as a function of ozone concentration.

but not 254 nm Hg lamp light line. The sensitivity was much less than 0.1 ppm and the accuracy of 0.5%. This system is convenient and the size is small compared to the ozone sensing system using Hg lamp. In addition the proposed wavelength 280 nm in this paper as DUV-LED is very useful from the points of expectation of long lifetime of light source and high reliability and low voltage operation. This system will contribute to depletion of ozone in nature generated from various reasons, including industry, car, etc.

REFERENCES

- [1] G. Kenanakis, D. Vernardou, E. Koudoumas, G. Kiriakidis and N. Katsarakis, "Ozone Sensing Properties of ZnO Nanostructures Grown by the Aqueous Chemical Growth Technique," *Sensors and Actuators*, Vol. B124, No. 1, 2007, pp. 187-191.
- [2] M. Sucheas, N. Katsarakis, S. Christoulakis, S. Nikolopoulou and G. Kiriakidis, "Low Temperature Indium Oxide Gas Sensors," *Sensors and Actuators B: Chemical*, Vol. 118, No. 1-2, 2006, pp. 135-141. [doi:10.1016/j.snb.2006.04.020](https://doi.org/10.1016/j.snb.2006.04.020)
- [3] J. Li, Q. Li, J. V. Dyke and P. K. Dasgupta, "Atmospheric Ozone Measurement with an Inexpensive and Fully Automated Porous Tube Collector-Colorimeter," *Talanta*, Vol. 74, No. 4, 2008, pp. 958-964. [doi:10.1016/j.talanta.2007.08.002](https://doi.org/10.1016/j.talanta.2007.08.002)
- [4] R. Frycek, M. Jelinck, T. Kocourek, P. Fitl, M. Vrnata, V. Myskik and M. Vrbova, "Thin Organic Layers Prepared by MSPLE for Gas Sensor Application," *Thin Solid Films*, Vol. 495, No. 1-2, 2006, pp. 308-311. [doi:10.1016/j.tsf.2005.08.178](https://doi.org/10.1016/j.tsf.2005.08.178)
- [5] S. Suzuki and K. Nagashima, "A Galvanic Solid-State Sensor for Monitoring Ozone and Nitrogen Dioxide," *Analytica Chimica Acta*, Vol. 144, 1982, pp. 261-266. [doi:10.1016/S0003-2670\(01\)95542-4](https://doi.org/10.1016/S0003-2670(01)95542-4)
- [6] E. Trakhovsky, "Ozone Amount Determined by Transmittance Measurements in the Solar-Blind Ultraviolet Spectral Region," *Applied Optics*, Vol. 24, No. 21, 1985, pp. 3519-3522. [doi:10.1364/AO.24.003519](https://doi.org/10.1364/AO.24.003519)
- [7] L. M. Garrison, D. D. Doda and A. E. S. Green, "Total Ozone Determination by Spectroradiometry in the Middle Ultraviolet," *Applied Optics*, Vol. 18, No. 6, 1979, pp. 850-855. [doi:10.1364/AO.18.000850](https://doi.org/10.1364/AO.18.000850)
- [8] T. Takayanagi, X.-L. Su, P. K. Dasgupta and R. W. Shaw, "Chemiluminometric Measurement of Atmospheric Ozone with Photoactivated Chromotropic Acid," *Analytical Chemistry*, Vol. 75, No. 21, 2003, pp. 5916-5925.
- [9] S. O'Keeffe, C. Fitzpatrick and E. Lewis, "An Optical Fiber Based Ultra Violet and Visible Absorption Spectroscopy System for Ozone Concentration Monitoring," *Sensors and Actuators B: Chemical*, Vol. 125, No. 2, 2007, pp. 372-378. [doi:10.1016/j.snb.2007.02.023](https://doi.org/10.1016/j.snb.2007.02.023)
- [10] E. M. Weinstock, C. M. Schiller and J. G. Anderson, "In Situ Stratospheric Ozone Measurements by Long Path UV Absorption: Developments and Interpretation," *Journal of Geophysical Research, Atmospheres*, Vol. 91, No. D4, 1986, pp. 5237-5248. [doi:10.1029/JD091iD04p05237](https://doi.org/10.1029/JD091iD04p05237)